

Inverter Driven Heat Pump

9,000 BTU Single Zone Compact Cassette

Job Name _____
 Location _____
 Engineer _____
 Submitted To _____
 Submitted By _____
 Reference _____

Date _____
 Approval _____
 Construction _____
 Unit No _____
 Drawing No _____

PRODUCT FEATURES

- 24 hr. Timer/Weekly Timer
- Auto louver: Up/Down
- Auto Mode
- Auto Changeover
- Daisy Chain Compatible
- Built-in Condensate Pump
- Auto Restart
- Economy Mode
- Auto Fan Mode



MODEL NUMBERS	
Indoor Unit	ACUH09LUAS1
Outdoor Unit	AOUH09LUAS1
System	09LUAS1C

EFFICIENCIES		
SEER	22.5	
EER	13.6	
HSPF	12.5	
COP	kW/kW	3.78
	Btu/hW	12.9

OUTDOOR TEMPERATURE OPERATION RANGE	
Cooling	°F(°C) 14 to 115 (-10 to 46)
Heating	-5 to 75 (-21 to 24)

CAPACITIES			
Cooling	Rated	BTU/hW	9,000
	Min.—Max.		3,100 - 11,000
Heating	Rated		12,000
	Min.—Max.		3,100 -16,000

LINESET REQUIREMENTS		
Connection Method		Flare
Liquid	in (mm)	Ø1/4 (Ø6.35)
Gas		Ø3/8 (Ø9.52)
Pre-Charge Length	ft (m)	49 (15)
Minimum Length		16 (5)
Maximum Length		66 (20)
Max. Height Diff.		49 (15)

INDOOR DIMENSIONS & WEIGHT		
Net (H x W x D)	in	9-5/8 x 22-7/16 x 22-7/16
	mm	(245x570x570)
Gross (H x W x D)	in	10-7/16 x 28-3/4 x 24-19/32
	mm	(265x730x625)
Net Weight	lb (kg)	33 (15)
Gross Weight		40 (18)

OUTDOOR DIMENSIONS & WEIGHT		
Net (H x W x D)	in	21-5/16 x 31-7/16 x 11-7/16
	mm	(542 x 799 x 290)
Gross (H x W x D)	in	23-11/16 x 37 x 14-3/4
	mm	(602 x 940 x 375)
Net Weight	lb (kg)	70 (32)
Gross Weight		77 (35)

Warranty Information



7 Year Compressor, 5 Year Parts out-of-the-box Warranty



10 Year Compressor, 10 Year Parts Warranty when registered within 60 days of installation in a residence



12 Year Compressor, 12 Year Parts Warranty when registered within 60 days of installation in a residence, and installed by a Fujitsu Elite contractor

ACCESSORIES

UTY-TTRX	3rd. Party Thermostat Converter
UTY-RNRUZ5	Wired Remote (backlite)
UTY-RSRY	Simple Remote
UTY-LNTU	Wireless Remote
UTY-TFSXZ2	Wireless Lan Adaptor
UTY-XWZXZG	External Connect Kit
UTY-XCSX	External input/output PCB
UTZ-VXAA	Fresh-air intake kit
UTZ-KXGC	Modbus Converter



This system combination is Energy Star qualified



Indoor Unit ETL#: 3170288
 Outdoor Unit ETL#: 91987

Effective Date: 6/4/2021

Version 09LUAS1C

Due to continuous product improvements, specifications are subject to change without notice. Please log in to the Fujitsu Portal for the most up-to-date documentation <https://portal.fujitsugeneral.com>

Inverter Driven Heat Pump

9,000 BTU Single Zone Compact Cassette

FAN DATA

Indoor Unit Airflow Rate	Cooling	High	CFM (m3/h)	318 (540)
		Medium		288 (490)
		Low		259 (440)
		Quiet		230 (390)
	Heating	High		318 (540)
		Medium		288 (490)
		Low		259 (440)
		Quiet		230 (390)
Outdoor Unit Airflow Rate	Cooling		906 (1,540)	
	Heating		906 (1,540)	

SOUND PRESSURE

Indoor Unit	Cooling	High	dB (A)	33
		Medium		32
		Low		29
		Quiet		28
	Heating	High		34
		Medium		32
		Low		29
		Quiet		27
Outdoor Unit	Cooling		44	
	Heating		48	

REFRIGERANT

Type	R410A	
Charge	lb oz	2 lb 3 oz
	kg	1,000
Oil Type	RB68	

ELECTRICAL SPECIFICATIONS

Voltage/Frequency/Phase		208 / 230V ~ 60Hz	
Voltage Range		187 - 253V ~ 60Hz	
Current	Cooling	Rated	3.3
	Heating	Rated	4.6
Maximum Operating Current	Cooling	A	6.8
	Heating		9.3
Starting Current			4.5
MCA			9.3
Maximum Circuit Breaker			15
Input Power	Cooling	Rated	0.66
		Max	1.05
	Heating	Rated	0.93
		Max	1.72
Power Factor	Cooling	%	87
	Heating	%	86

OTHER

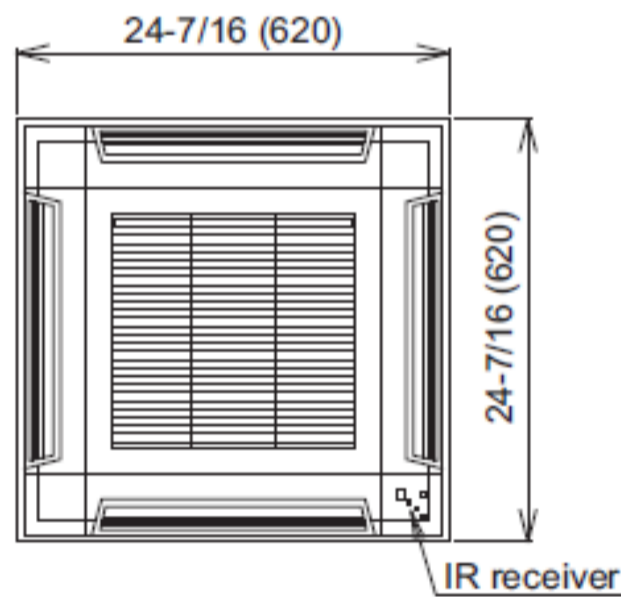
Moisture Removal	pints/h (L/h)	(1.3) 0.6	
Energy Star		Yes	
Drain hose	Material	Hard PVC	
Size	in (mm)	Ø1/2 (Ø13.0) [I.D.], Ø5/8 to Ø11/16 (Ø16.0 to Ø16.7) [O.D.]	
IDU Operation Range	Cooling	°F (°C)	64 to 90 (18 to 32)
		%RH	80 or less
	Heating	°F (°C)	60 to 88 (16 to 30)

GRILL DATA: UTG-CCGFGA

DIMENSIONS

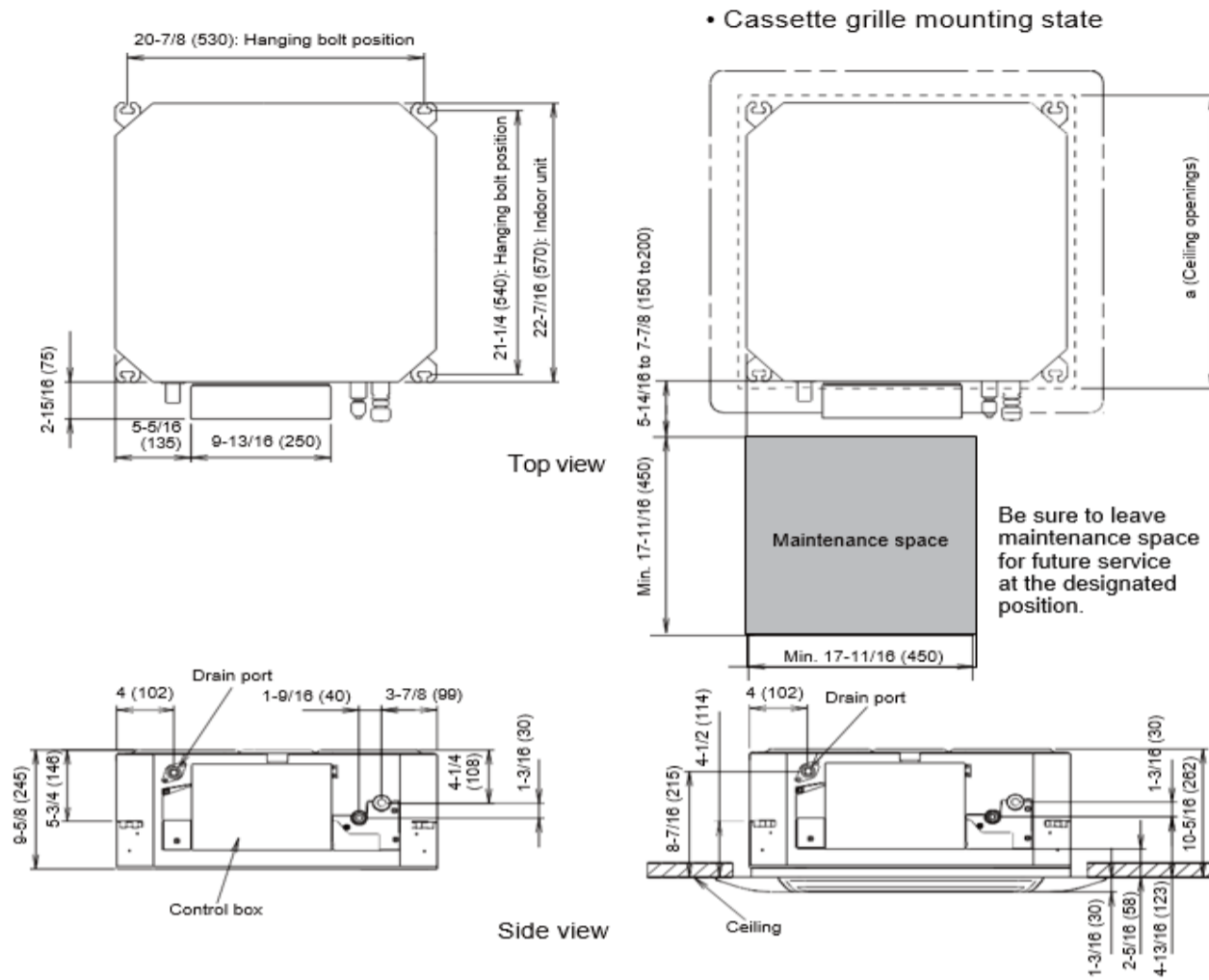
Units: In. (mm)

Grid type grille

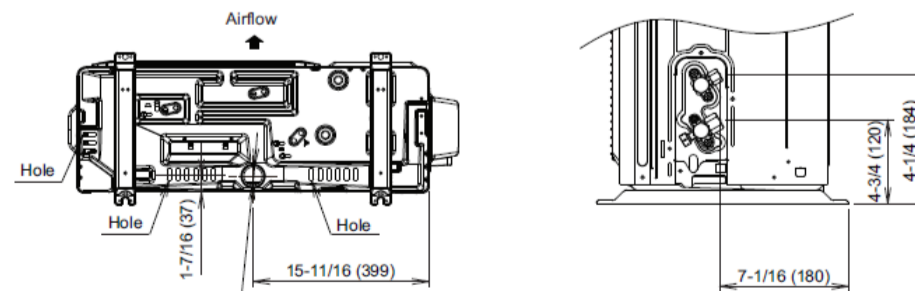
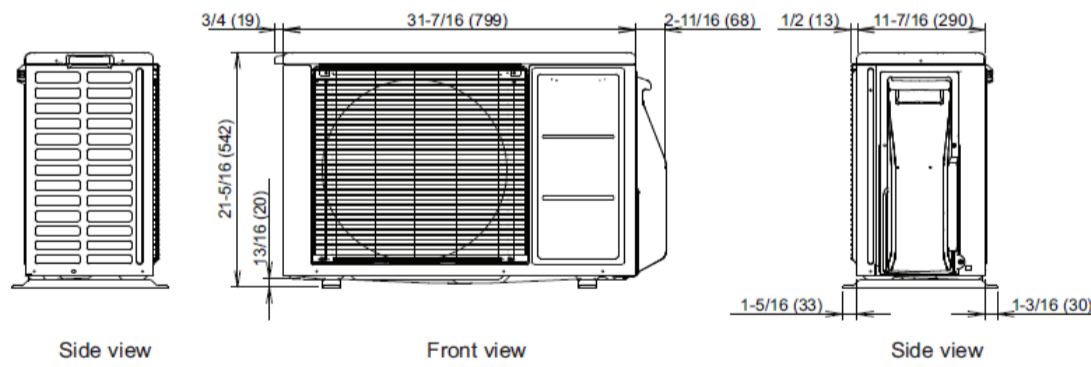
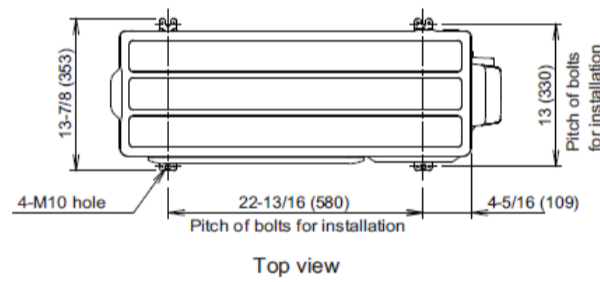


The Fujitsu logo is a worldwide trademark of Fujitsu General Limited. The Halcyon logo and name is a worldwide trademark of Fujitsu General Limited and is a registered trademark in Japan, the USA and other countries or areas. Copyright 2018 Fujitsu General America, Inc. Fujitsu's products are subject to continuous improvements. Fujitsu reserves the right to modify product design, specifications and information in this brochure without notice and without incurring any obligations.

Note: Specifications are based on the following conditions:
 Cooling: Indoor temperature of 80°F (26.7°C) DB/67°F (19.4°C) WB, and outdoor temperature of 95°F (35°C) DB/75°F (23.9°C) WB. Heating: Indoor temperature of 70°F (21.1°C) DB/60°F (15.6°C) WB, and outdoor temperature of 47°F (8.3°C) DB/43°F (6.1°C) WB. Pipe length: 25ft. (7.5m), Height difference: 0ft. (0m) (Outdoor unit – indoor unit).



Unit in (mm)



The Fujitsu logo is a worldwide trademark of Fujitsu General Limited. The Halcyon logo and name is a worldwide trademark of Fujitsu General Limited and is a registered trademark in Japan, the USA and other countries or areas. Copyright 2018 Fujitsu General America, Inc. Fujitsu's products are subject to continuous improvements. Fujitsu reserves the right to modify product design, specifications and information in this brochure without notice and without incurring any obligations.

Note: Specifications are based on the following conditions:
 Cooling: Indoor temperature of 80°F (26.7°C) DB/67°F (19.4°C) WB, and outdoor temperature of 95°F (35°C) DB/75°F (23.9°C) WB. Heating: Indoor temperature of 70°F (21.1°C) DB/60°F (15.6°C) WB, and outdoor temperature of 47°F (8.3°C) DB/43°F (6.1°C) WB. Pipe length: 25ft. (7.5m), Height difference: 0ft. (0m) (Outdoor unit – indoor unit).